



WINDOW TECHNOLOGY
MARINE SOLUTIONS



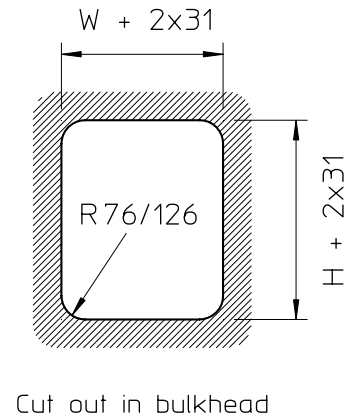
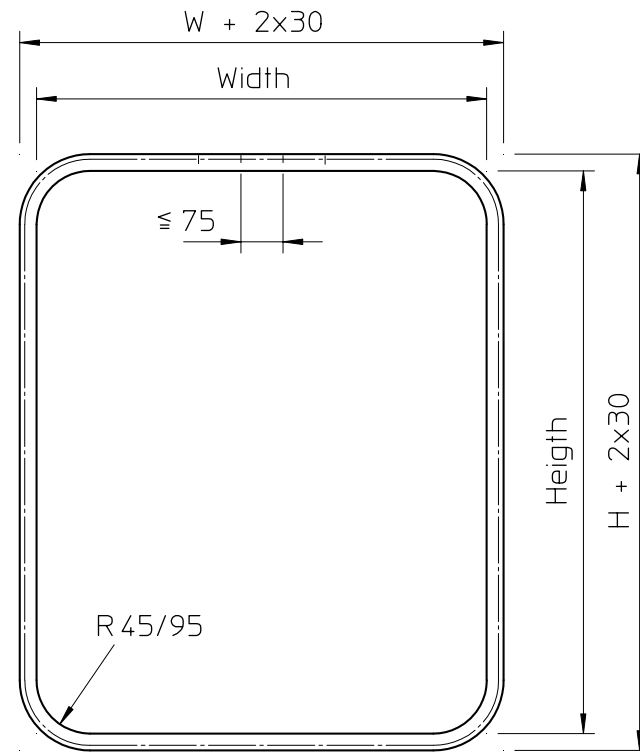
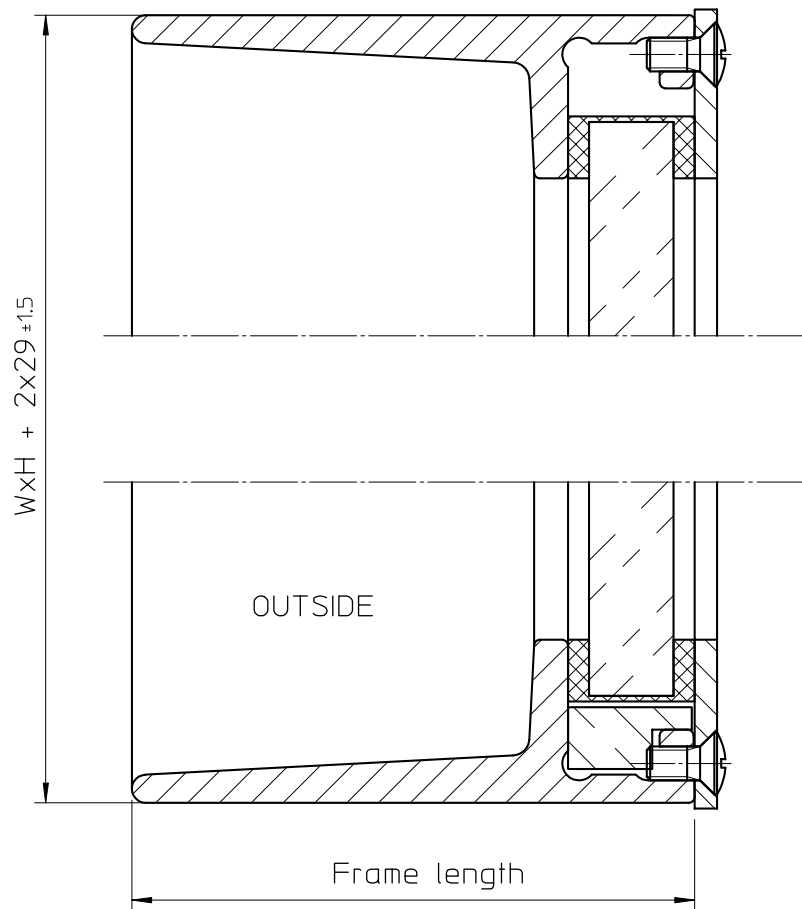
Principle Technical Drawings

C.C.Jensen A/S Window Technology

Contact details:

C.C. Jensen A/S • Window Division • Løvholmen 13 • DK-5700 Svendborg • Denmark

Tel: +45 63 21 20 14 • Fax: +45 62 22 24 50 • e-mail: windows@cjc.dk



This document has been prepared by C.C. Jensen A/S, Svendborg and it remains the property of the company which means that reproduction and use of the drawing or part of it is prohibited without the consent of the owner. All rights reserved.

Main frame R.St.37-2
Glass list AISI
Screw A4
Gasket silicone rubber
Tough. glass ISO 614

80-100-120mm frame is standard length for profiles mounted with monolithic, double, heated, laminated or fire retarded glass according to ISO standards.

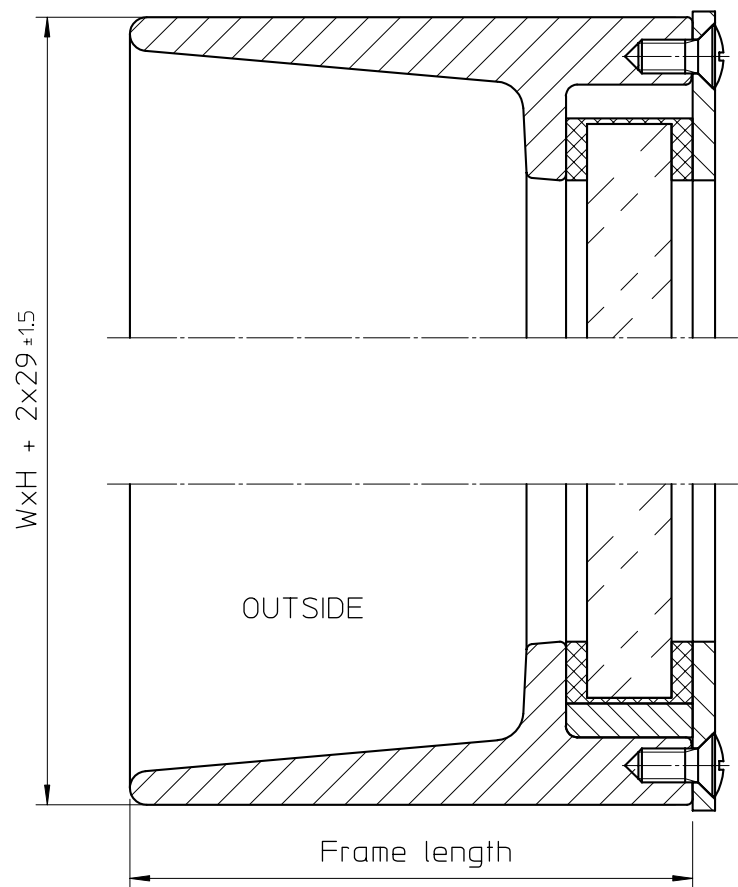
Scale: -
Yard Principle
Hull no. -
Yard pos. -
Appr.
Date

C.C.JENSEN A/S
 LØVHOLMEN 13, DK-5700 SVENDBORG, DENMARK
 FAX NO +45 62 22 24 50 PHONE +45 63 21 20 14

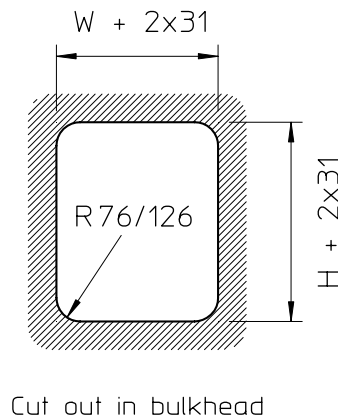
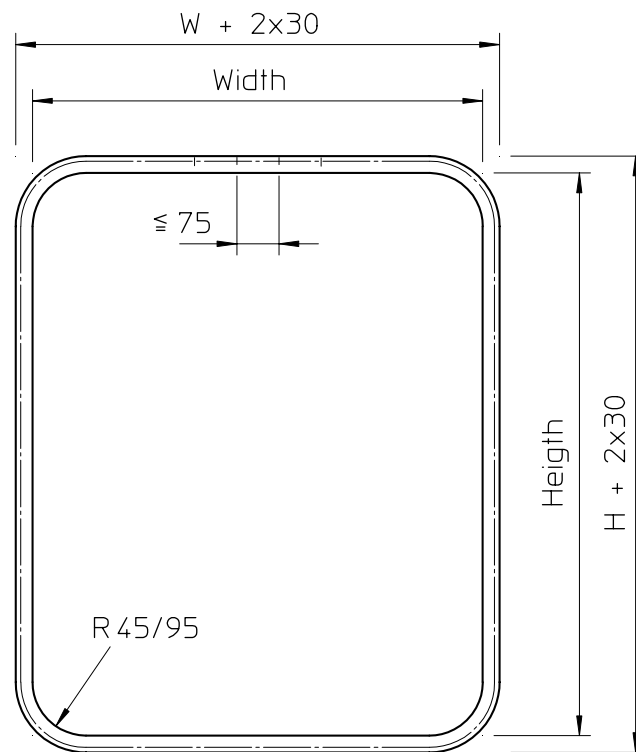
cjc

Fixed window steel welded in
 Width x Height

Sign	Date
Drawn mm	03.10.06
Appr.	
Rev.	
Window type:	NOW
Drawing no.	VA90001



INSIDE



This document has been prepared by C.C. Jensen A/S, Svendborg and it remains the property of the company which means that reproduction and use of the drawing or part of it is prohibited without the consent of the owner. All rights reserved.

Main frame AlMgSi0.7F20 -
Glasslist AISI
Screw A4
Gasket silicone rubber
Tough. glass ISO 614

80-100-120mm frame is standard length for profiles mounted with monolithic, double, heated or laminated glass according to ISO standards.

Scale: -

Yard	Principle
Hull no.	-
Yard pos.	-
Appr.	
Date	

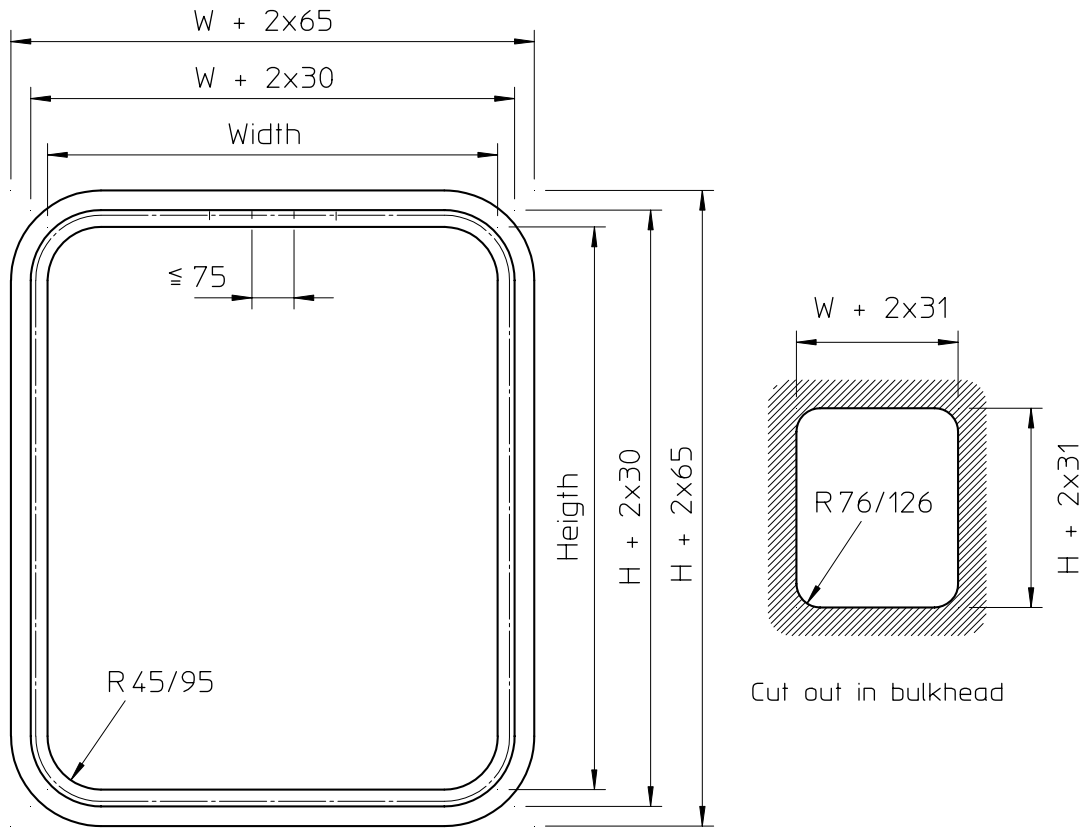
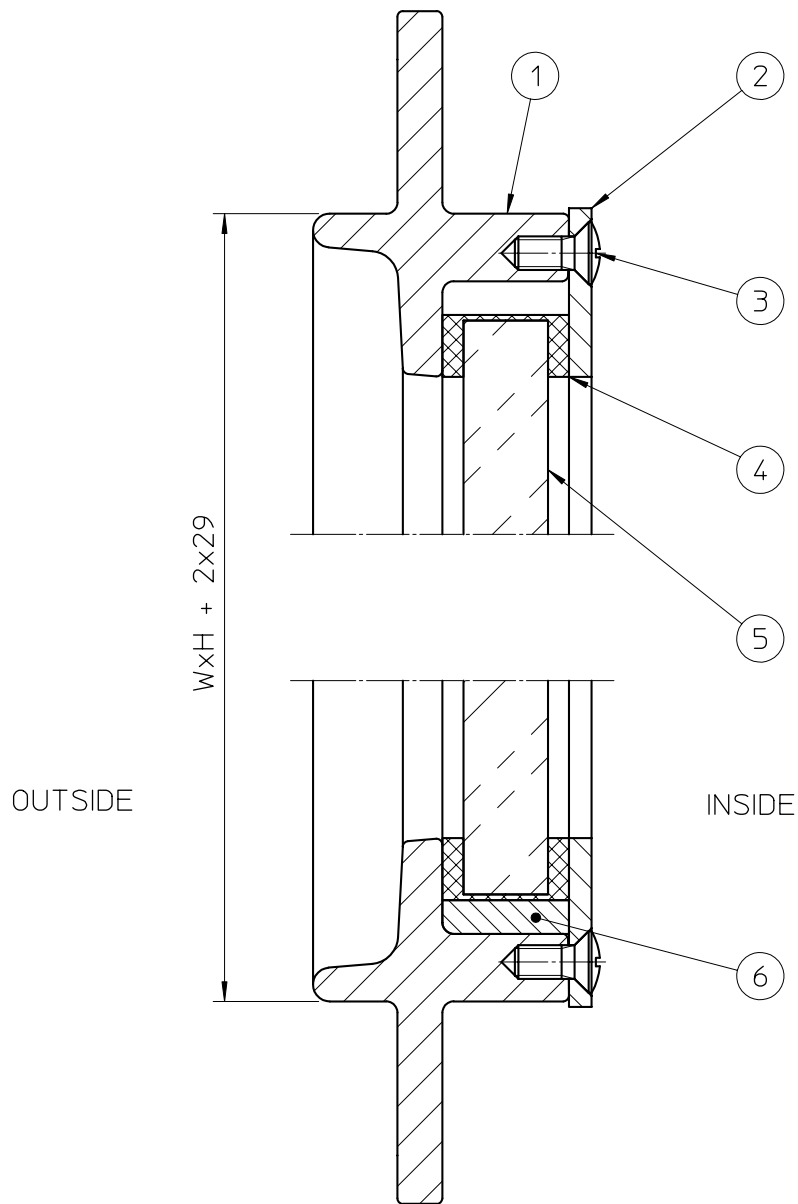


C.C.JENSEN A/S

LØVHOLMEN 13, DK-5700 SVENDBORG, DENMARK
FAX NO +45 62 22 24 50 PHONE +45 63 21 20 14

Fixed window aluminium
welded in
Width x Height

Sign	Date
Drawn mm	03.10.06
Appr.	
Rev.	
Window type:	NOW
Drawing no.	VA90002



This document has been prepared by C.C. Jensen A/S, Svendborg and it remains the property of the company which means that reproduction and use of the drawing or part of it is prohibited without the consent of the owner. All rights reserved.

1	Main frame AlMgSi0.7F20 -
2	Glasslist AISI
3	Screw A4
4	Gasket silicone rubber
5	Tough. glass ISO 614
6	Distance piece

Profiles mounted with monolithic, double, heated, laminated glass according to ISO standards.

Scale: -	
Yard	Principle
Hull no.	-
Yard pos.	-
Appr.	
Date	

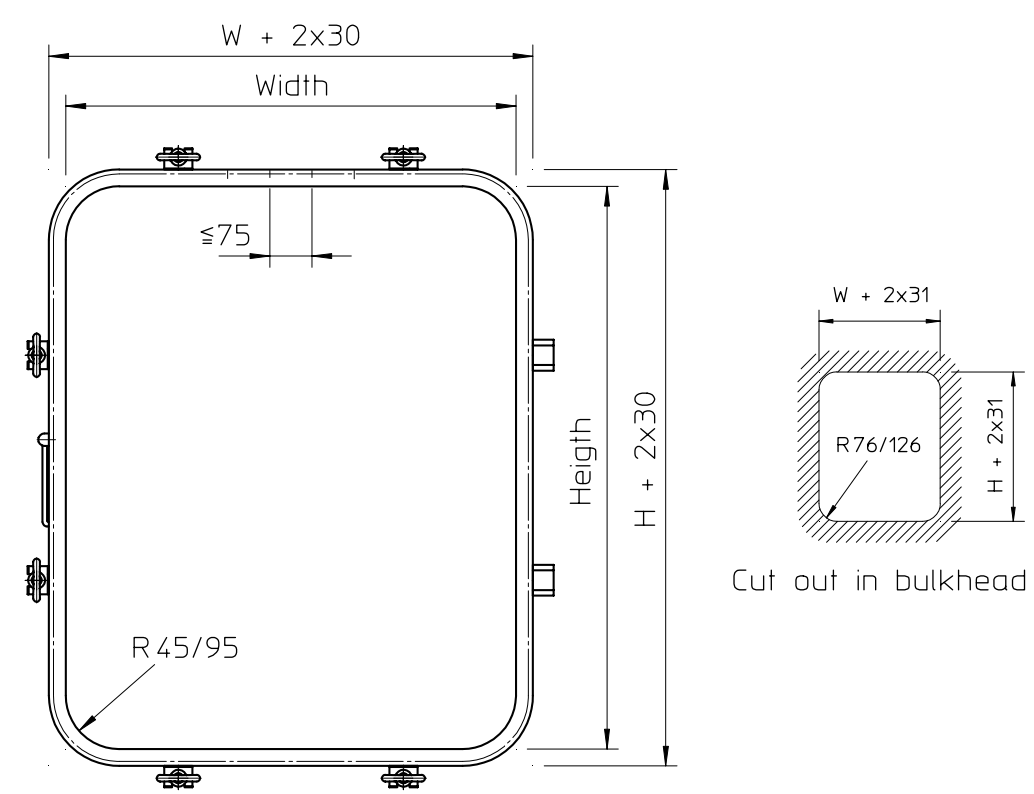
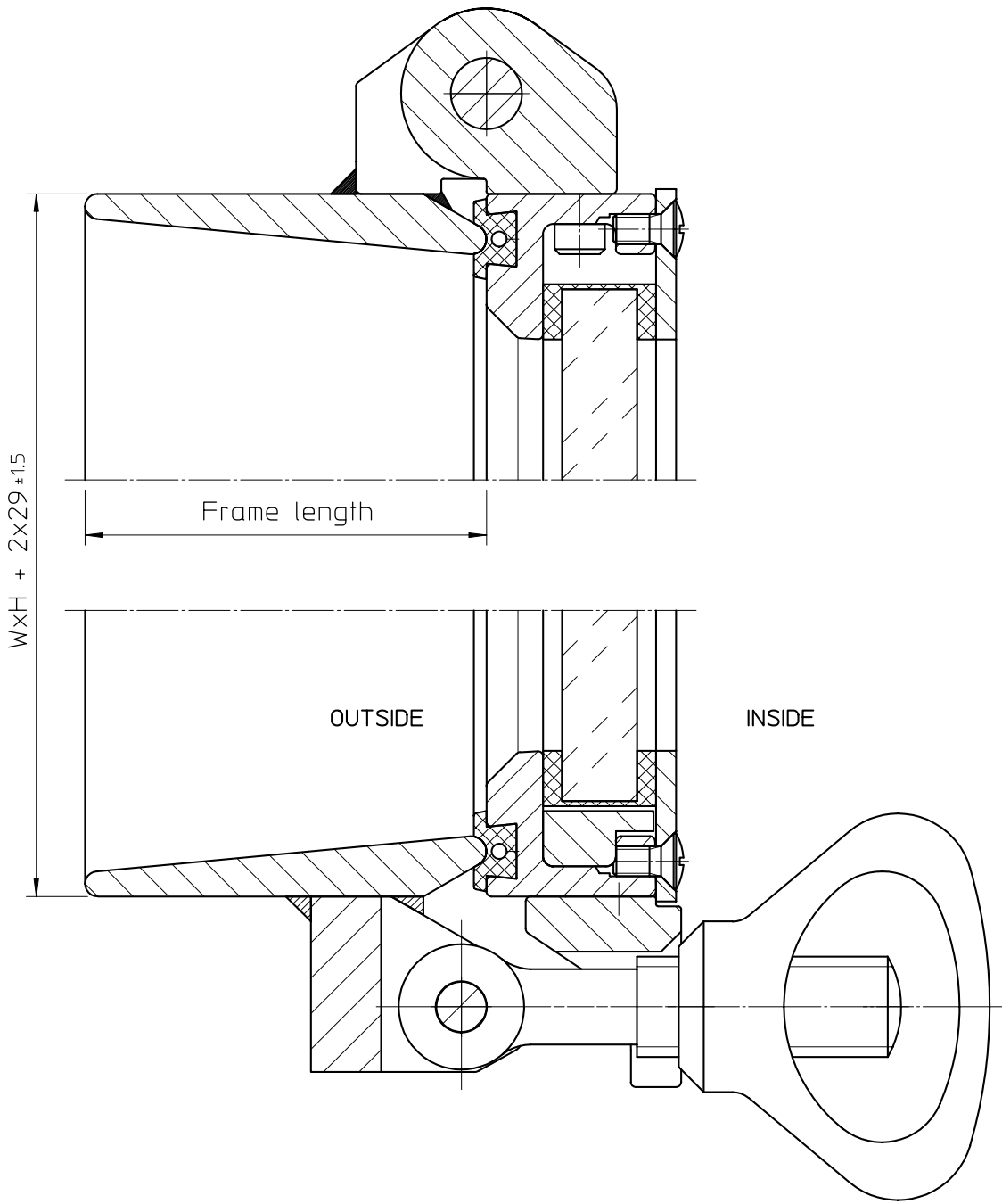


C.C.JENSEN A/S

LØVHOLMEN 13, DK-5700 SVENDBORG, DENMARK
 FAX NO +45 62 22 24 50 PHONE +45 63 21 20 14

Fixed window aluminium
 bolted in
 Width x Height

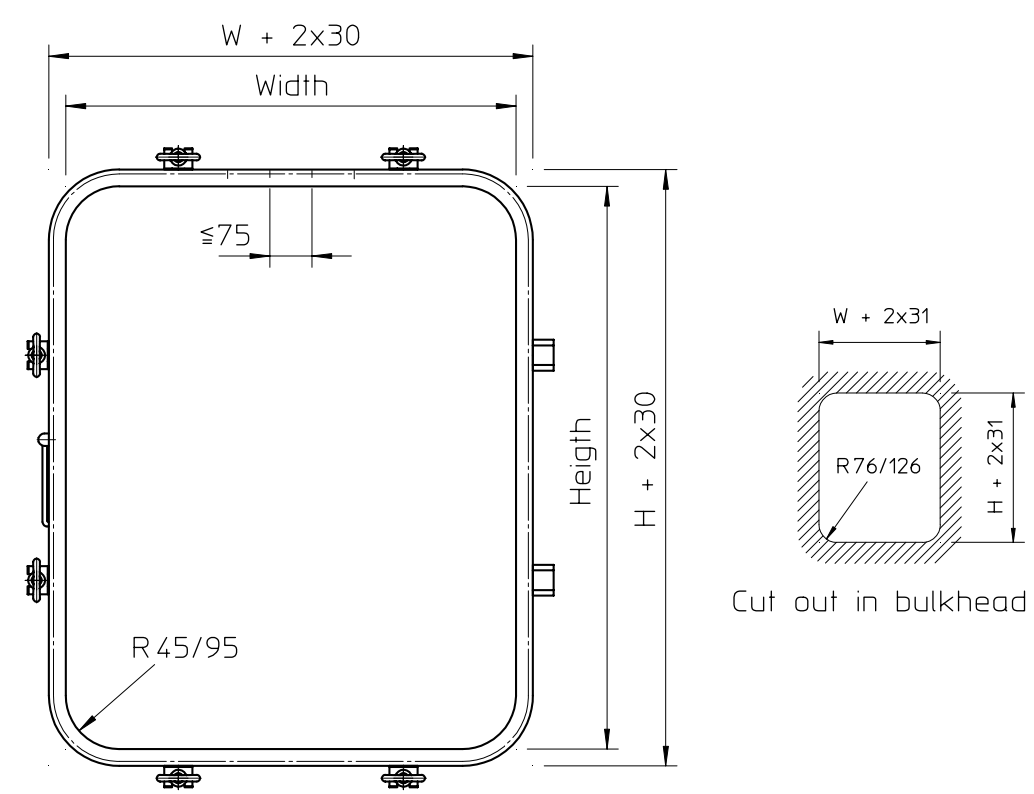
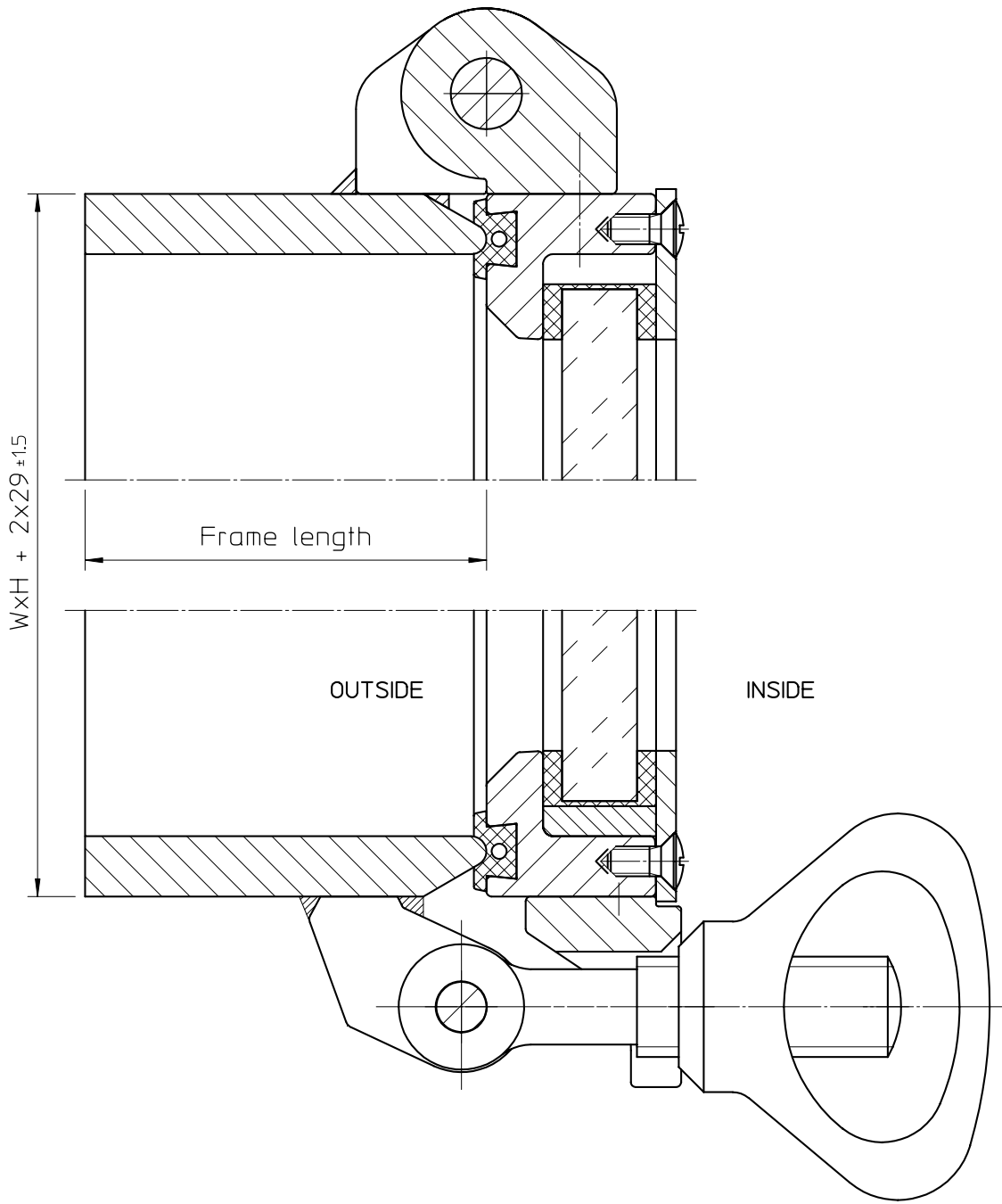
Sign	Date
Drawn mm	31.10.06
Appr.	
Rev.	
Window type: NOB	
Drawing no. VA90008	



80-100-120mm frame is standard length for profiles mounted with monolithic, double, heated or laminated glass according to ISO standards.	Main frame R.St.37-2
	Glaslist AISI
	Screw A4
	Gasket silicone rubber
	Tough. glass ISO 614
Glass frame Brass	

This document has been prepared by C.C. Jensen A/S, Svendborg and it remains the property of the company which means that reproduction and use of the drawing or part of it is prohibited without the consent of the owner. All rights reserved.

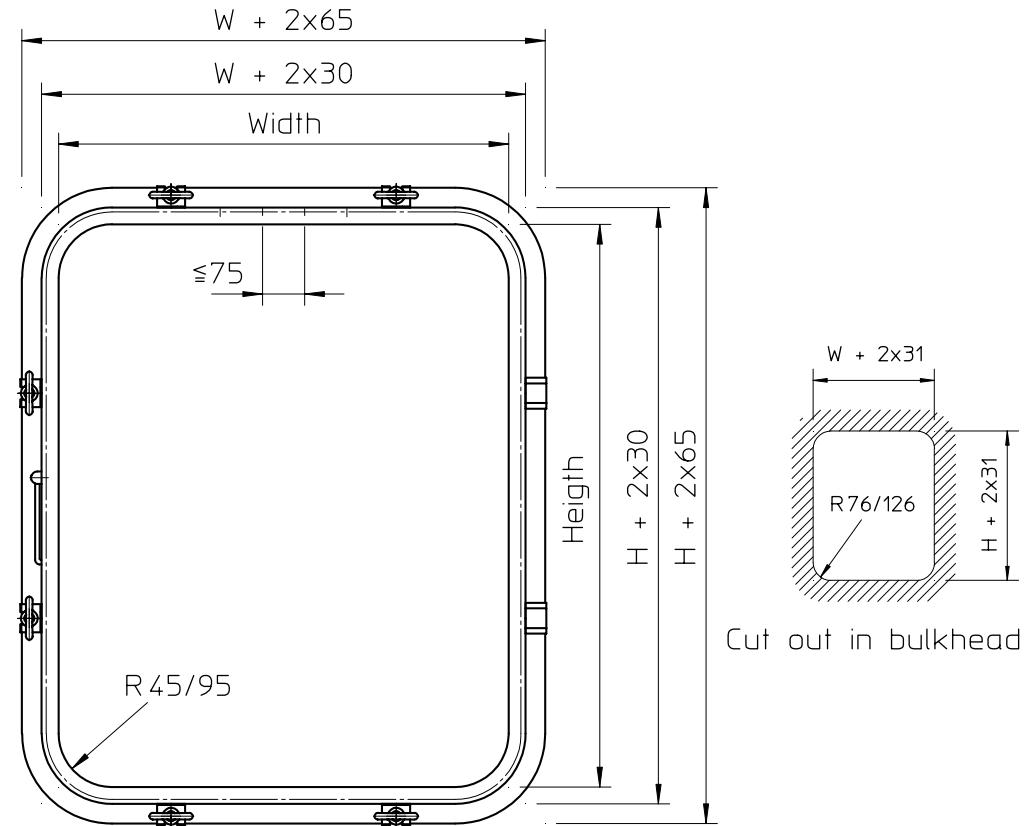
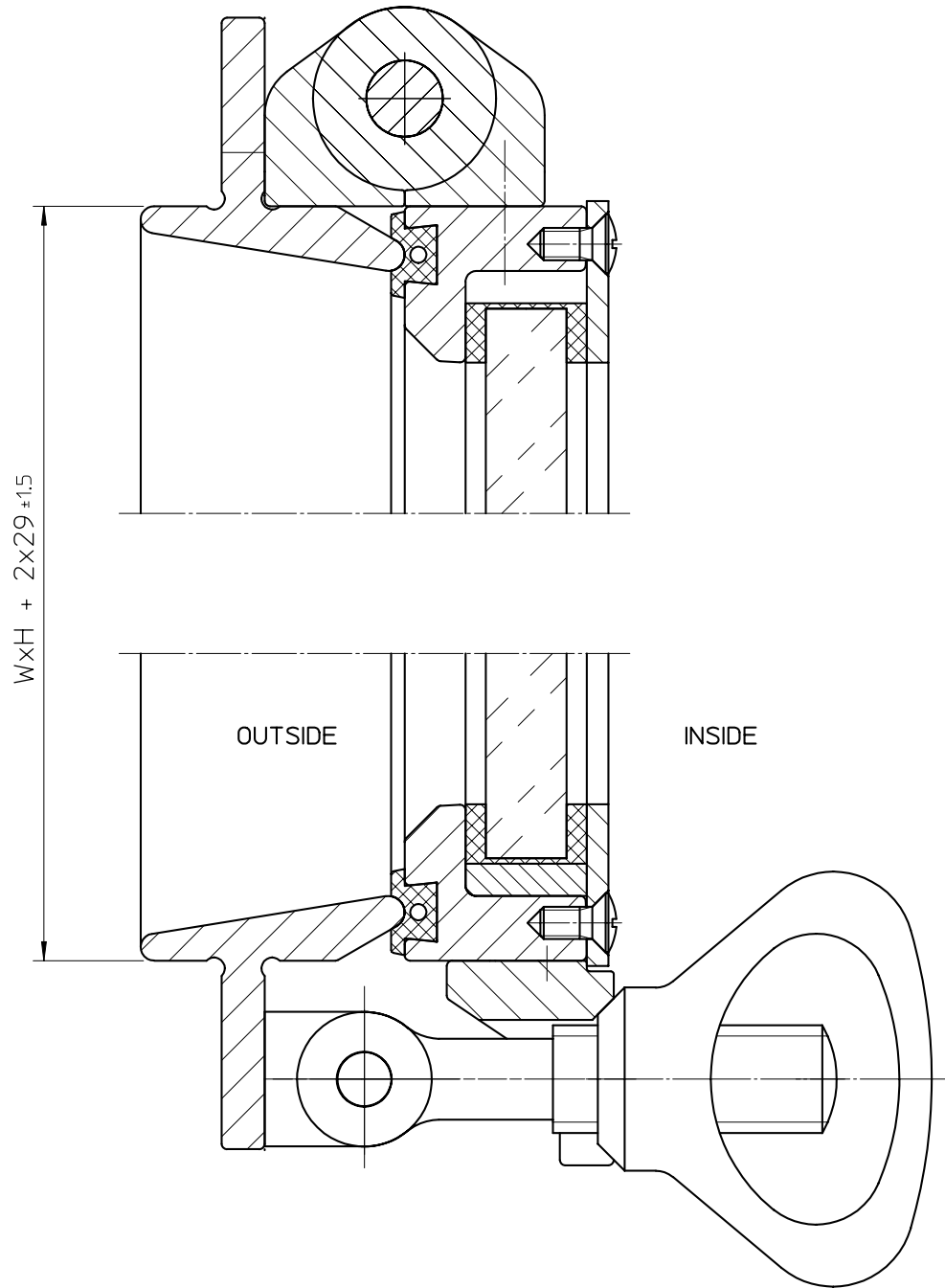
Scale: -	 C.C.JENSEN A/S LØVHOLMEN 13, DK-5700 SVENDBORG, DENMARK FAX NO +45 62 22 24 50 PHONE +45 63 21 20 14	Sign	Date
Yard Principle		Drawn	mm
Hull no. -	Inwards opening steel righthinged welded in Width x Height	Appr.	
Yard pos. -		Rev.	
Appr.		Window type:	
Date		Drawing no.	
		VA90013	



<p>80-100-120mm frame is standard length for profiles mounted with monolithic, double, heated or laminated glass according to ISO standards.</p>	Main frame Aluminium
	Glaslist AISI
	Screw A4
	Gasket silicone rubber
	Tough. glass ISO 614
Glass frame Aluminium	

This document has been prepared by C.C. Jensen A/S, Svendborg and it remains the property of the company which means that reproduction and use of the drawing or part of it is prohibited without the consent of the owner. All rights reserved.

Scale: -	 C.C.JENSEN A/S LØVHOLMEN 13, DK-5700 SVENDBORG, DENMARK FAX NO +45 62 22 24 50 PHONE +45 63 21 20 14	Sign	Date
Yard Principle		Drawn	mm
Hull no. -	Inwards opening aluminium righthinged welded in Width x Height	Appr.	
Yard pos. -		Rev.	
Appr.		Window type: IRW	
Date		Drawing no. VA90014	



Profiles mounted with monolithic, double, heated or laminated glass according to ISO standards.

Main frame Aluminium
Glaslist AISI
Screw A4
Gasket silicone rubber
Tough. glass ISO 614
Glass frame Aluminium

This document has been prepared by C.C. Jensen A/S, Svendborg and it remains the property of the company which means that reproduction and use of the drawing or part of it is prohibited without the consent of the owner. All rights reserved.

Scale: -
Yard Principle
Hull no. -
Yard pos. -
Appr.
Date

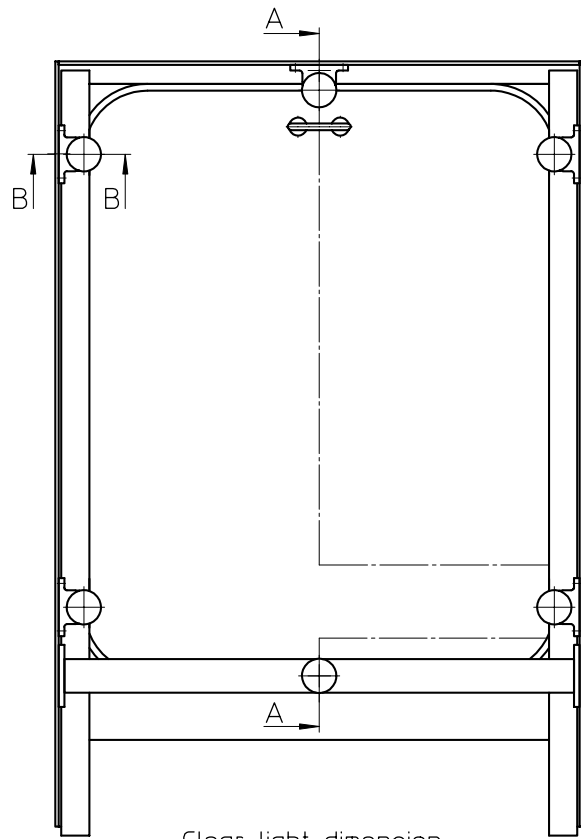


C.C.JENSEN A/S

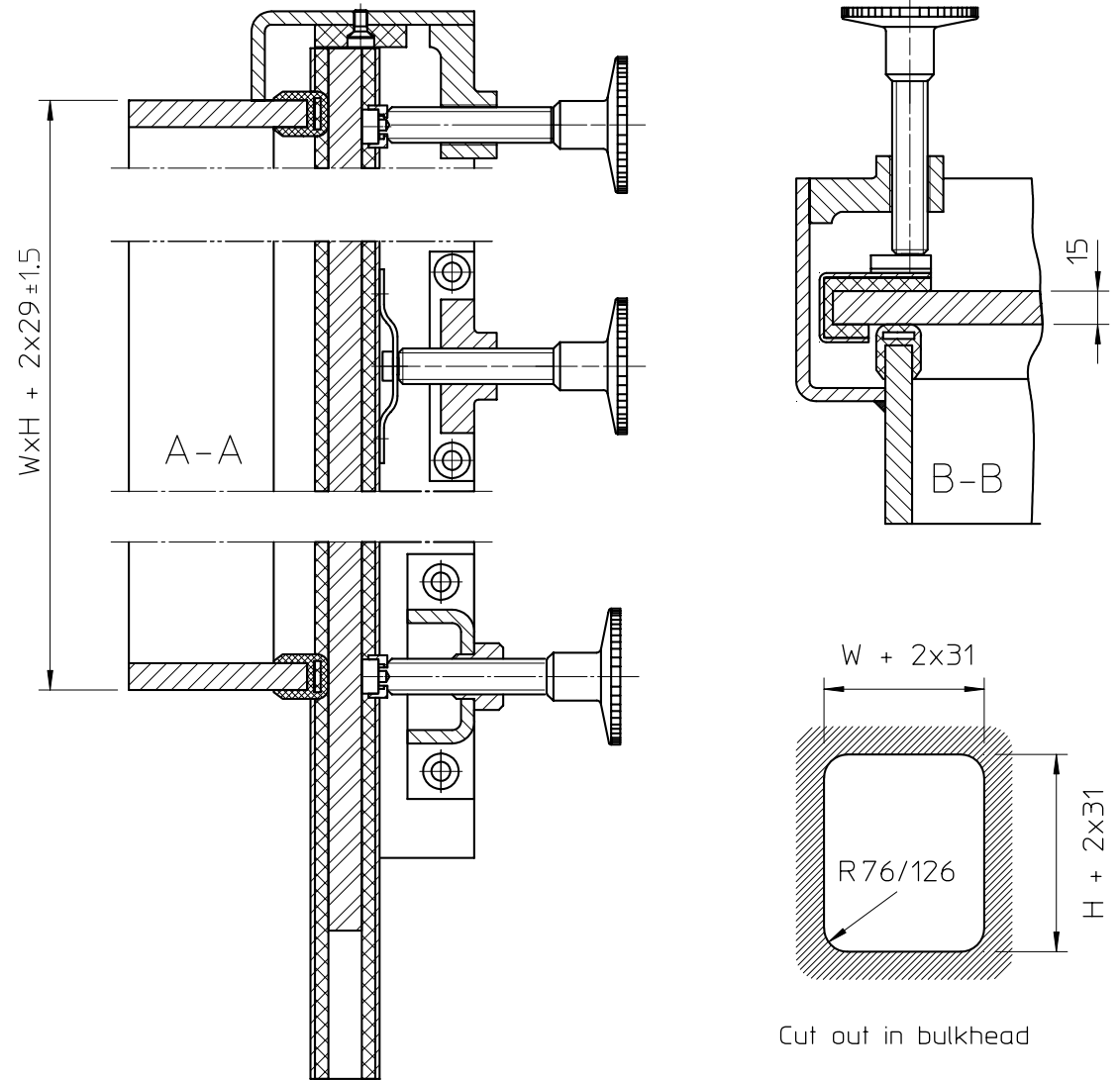
LØVHOLMEN 13, DK-5700 SVENDBORG, DENMARK
FAX NO +45 62 22 24 50 PHONE +45 63 21 20 14

Inwards opening aluminium
right hinged bolted in
Width x Height

Sign	Date
Drawn mm	31.10.06
Appr.	
Rev.	
Window type:	IRB
Drawing no.	VA90016



Clear light dimension
same as for fixed windows



Cut out in bulkhead

This document has been prepared by C.C. Jensen A/S, Svendborg and it remains the property of the company which means that reproduction and use of the drawing or part of it is prohibited without the consent of the owner. All rights reserved.

Main frame R.St.37-2
Sliding guide AISI
Screw A4
Gasket silicone rubber
Tough. glass ISO 614

80mm frame is standard length for profiles mounted with monolithic glass according to ISO standards.

Scale: -

Yard Principle

Hull no. -

Yard pos. -

Appr.

Date

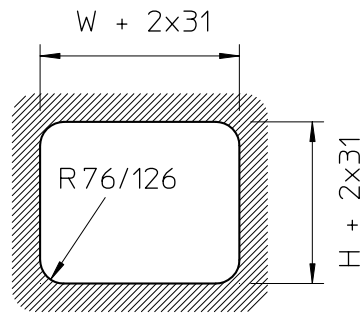
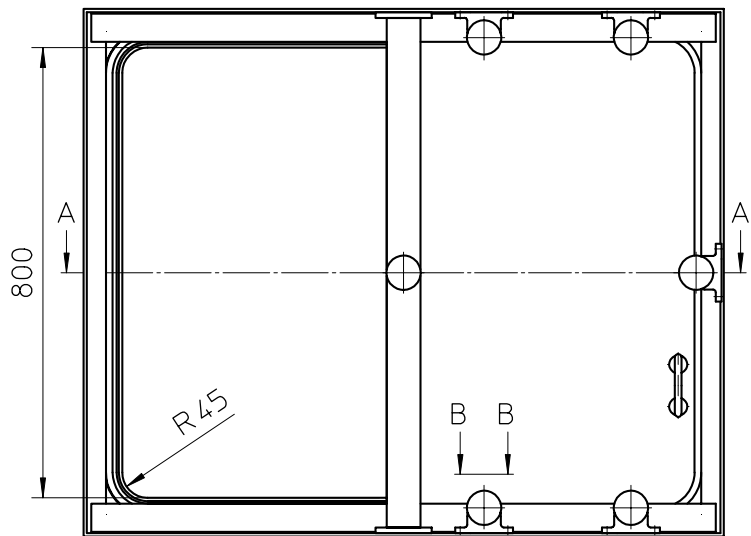


C.C.JENSEN A/S

LØVHOLMEN 13, DK-5700 SVENDBORG, DENMARK
FAX NO +45 62 22 24 50 PHONE +45 63 21 20 14

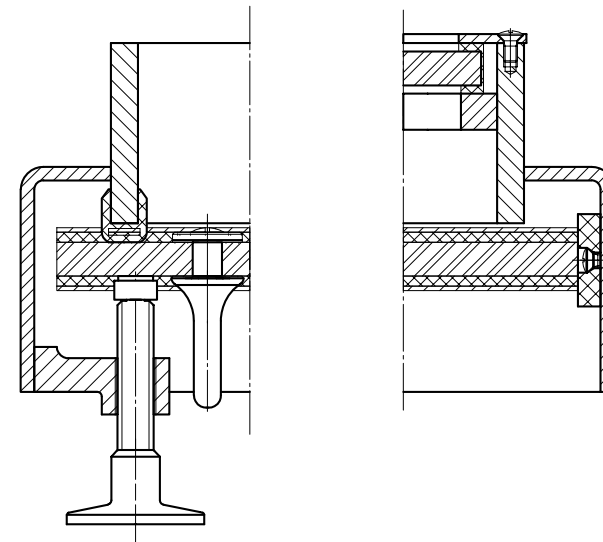
Vertical sliding steel window welded in
Width x Height

Sign	Date
Drawn mm	01.11.06
Appr.	
Rev.	
Window type:	VOW
Drawing no.	VA90019

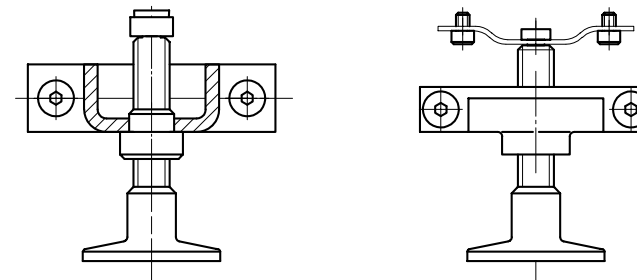


Cut out in bulkhead

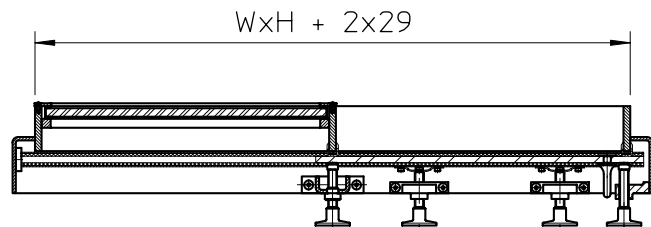
Section A-A



Section A-A



Section B-B



Clear light dimension
same as for fixed window

This document has been prepared by C.C. Jensen A/S, Svendborg and it remains the property of the company which means that reproduction and use of the drawing or part of it is prohibited without the consent of the owner. All rights reserved.

Main frame R.St.37-2
Glass list AISI
Screw A4
Gasket silicone rubber
Tough. glass ISO 614

80mm frame is standard length for profiles mounted with monolithic glass according to ISO standards.

Scale: -
Yard Principle
Hull no. -
Yard pos. -
Appr.
Date

C.C.JENSEN A/S
 LØVHOLMEN 13, DK-5700 SVENDBORG, DENMARK
 FAX NO +45 62 22 24 50 PHONE +45 63 21 20 14

Horizontal 2-part sliding window welded in
 Width x Height

Sign	Date
Drawn mm	01.11.06
Appr.	
Rev.	
Window type:	HOW
Drawing no.	VA90023